

B[®] GATE VALVES- WELDED BONNET- FULL & REDUCED PORT

BONNEY FORGE

800 LB.

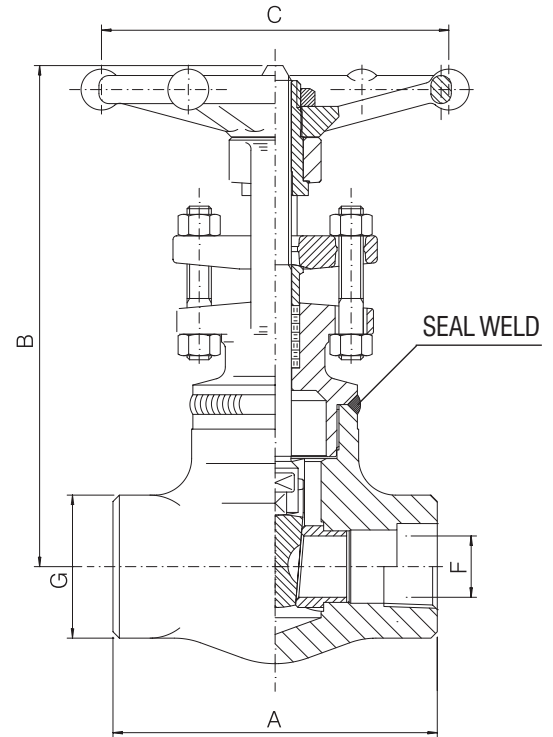
1500 LB.

Design construction:

API 602 - ASME B16.34 - BS 5352
 Testing according to API 598
 Marking MSS SP25
 Outside Screw and Yoke (OS&Y)
 Self aligning two piece packing gland
 Integral backseat
 Body Bonnet Weld to ASME IX
 Socket Weld Ends to ASME B16.11
 Screwed Ends (NPT) to ASME B1.20.1
 Butt Welding Ends to ASME B16.25

Ratings:

- carbon steel class 800 1975 psig @ 100°F
138 bar + 38°C
- carbon steel class 1500 3705 psig @ 100°F
255 bar + 38°C



FULL PORT – FIG. W 10		1/4	3/8	1/2	3/4	1	1 1/4	1 1/2	2
SIZE	inch mm	6	10	15	20	25	32	40	50
A	inch mm	3.15 80	3.15 80	3.54 90	4.33 110	5 127	5 127	5 127	8.27 210
B open	inch mm	5.98 152	5.98 152	6.22 158	7.72 196	8.86 225	10.04 255	11.42 290	14.09 358
C	inch mm	3.46 88	3.46 88	3.46 88	3.82 97	5.43 138	5.43 138	5.43 138	6.77 172
F	inch mm	.31 8	.38 9.6	.55 14	.71 18	.94 24	1.18 30	1.44 36.6	1.89 48
G	inch mm	1.26 32	1.26 32	1.5 38	1.89 48	2.20 56	2.52 64	3.07 78	3.35 85
Weight	lb. kg	3.25 1.5	3.25 1.5	4.25 2	7.75 3.5	11 5	14.25 6.5	20.75 9.5	35.25 16
PACKING		BH2	BH2	BH2	BH4	BH5	BH6	BY5	BH8

REDUCED PORT – FIG. WL 10		1/2	3/4	1	1 1/2	2
SIZE	inch mm	15	20	25	40	50
A	inch mm	3.15 80	3.54 90	4.33 110	5 127	5 127
B open	inch mm	5.98 152	6.22 158	7.72 196	10.04 255	11.42 290
C	inch mm	3.46 88	3.46 88	3.82 97	5.43 138	5.43 138
F	inch mm	.38 9.6	.55 14	.71 18	1.18 30	1.44 36.6
G	inch mm	1.26 32	1.5 38	1.89 48	2.52 64	3.07 78
Weight	lb. kg	3.5 1.6	3.75 1.8	6.25 2.9	13.25 6.1	18 8.2
PACKING		BH2	BH2	BH4	BH6	BY5

FULL PORT – FIG. 9W 10		1/4	3/8	1/2	3/4	1	1 1/4	1 1/2	2
SIZE	inch mm	6	10	15	20	25	32	40	50
A	inch mm	3.54 90	3.54 90	4.33 110	5 127	5 127	5 127	5 127	8.27 210
B open	inch mm	6.02 153	6.02 153	7.48 190	8.66 220	9.84 250	11.10 282	11.42 290	13.58 345
C	inch mm	3.46 88	3.46 88	3.82 97	5.43 138	5.43 138	5.43 138	5.43 138	6.77 172
F	inch mm	.31 8	.38 9.6	.55 14	.71 18	.94 24	1.18 30	1.44 36.6	1.89 48
G	inch mm	1.5 38	1.5 38	1.89 48	2.20 56	2.52 64	3.07 78	3.07 78	3.35 85
Weight	lb. kg	4.25 2.0	4.25 2.0	7.5 3.4	11.25 5.1	15.25 7	22 10	23 10.5	41.75 19
PACKING		BH3	BH3	BH5	BH6	2B4	BY7	2B5	2B8

REDUCED PORT – FIG. 9WL 10		1/2	3/4	1	1 1/2	2
SIZE	inch mm	15	20	25	40	50
A	inch mm	3.54 90	4.33 110	5 127	5 127	8.27 210
B open	inch mm	6.02 153	7.48 190	8.66 220	11.10 282	13.58 345
C	inch mm	3.46 88	3.82 97	5.43 138	5.43 138	5.43 138
F	inch mm	.38 9.6	.55 14	.71 18	1.18 30	1.44 36.6
G	inch mm	1.5 38	1.89 48	2.20 56	3.07 78	3.35 85
Weight	lb. kg	4.25 2	7.25 3.3	11.5 5.3	21.5 9.8	40.25 18.3
PACKING		BH3	BH5	BH6	2B5	BH8