

B CRYOGENIC VALVES- GATE TYPE- BOLTED BONNET- FULL & REDUCED PORT

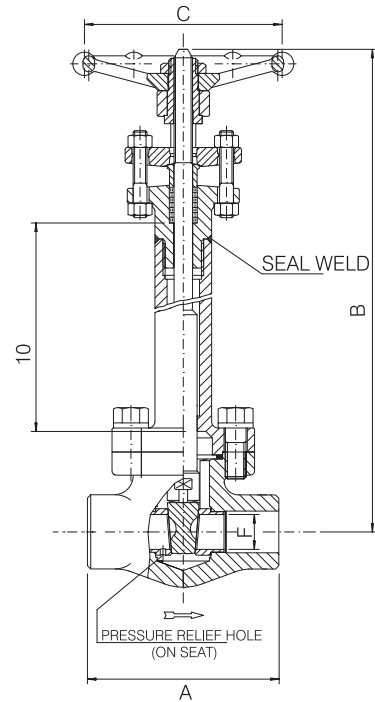
BONNEY FORGE

800 LB.

1500 LB.

Design construction:

- API 602- ASME B16.34- BS 5352- BS 6364
- Testing according to API 598
- Marking MSS SP25
- Outside Screw and Yoke (OS&Y)
- Self aligning two piece packing gland
- Spiral wound gasket
- Integral backseat
- Welded body- bonnet joint also available
- Socket Weld Ends to ASME B16.11
- Screwed Ends (NPT) to ASME B1.20.1
- Butt Welding Ends to ASME B16.25
- Ratings: Stainless steel A182- F316
 - class 800 1920 psig @ 100°F
 - 132 bar + 38°C
 - class 1500 3600 psig @ 100°F
 - 248 bar + 38°C



FULL PORT – FIG. C 10		1/4	3/8	1/2	3/4	1	1 1/4	1 1/2	2
SIZE	inch mm	6	10	15	20	25	32	40	50
A	inch mm	3.15 80	3.15 80	3.54 90	4.33 110	5 127	5 127	5 127	8.27 210
B open	inch mm	15.75 400	15.75 400	15.75 400	17.52 445	18.70 475	19.88 505	20.87 530	23.54 598
C	inch mm	3.46 88	3.46 88	3.46 88	3.82 97	5.43 138	5.43 138	5.43 138	6.77 172
F	inch mm	.31 8	.38 9.6	.55 14	.71 18	.94 24	1.18 30	1.44 36.6	1.89 48
G	inch mm	1.26 32	1.26 32	1.5 38	1.89 48	2.20 56	2.52 64	3.07 78	3.35 85
Weight	lb. kg	7.5 3.4	7.5 3.4	7.75 3.5	11.25 5.1	18 8.2	26.5 12	35.25 16	50.75 23
PACKING		BH2	BH2	BH2	BH4	BH5	BH6	BY5	BH8
GASKET		G2	G2	G2	G3	G4	G6	G7	G9

REDUCED PORT – FIG. CL 10		1/2	3/4	1	1 1/2	2
SIZE	inch mm	15	20	25	40	50
A	inch mm	3.15 80	3.54 90	4.33 110	5 127	5 127
B open	inch mm	15.75 400	15.75 400	17.52 445	19.88 505	20.87 530
C	inch mm	3.46 88	3.46 88	3.82 97	5.43 138	5.43 138
F	inch mm	.38 9.6	.55 14	.71 18	1.18 30	1.44 36.6
G	inch mm	1.26 32	1.5 38	1.89 48	2.52 64	3.07 78
Weight	lb. kg	7.5 3.4	7.75 3.5	11 5	21 9.6	27.5 12.5
PACKING		BH2	BH2	BH4	BH6	BY5
GASKET		G2	G2	G3	G6	G7

FULL PORT – FIG. 9C 10		1/4	3/8	1/2	3/4	1	1 1/4	1 1/2	2
SIZE	inch mm	6	10	15	20	25	32	40	50
A	inch mm	3.54 90	3.54 90	4.33 110	5 127	5 127	5 127	8.27 210	9.05 230
B open	inch mm	15.55 395	15.55 395	17.12 435	18.50 470	19.49 495	20.47 520	23.03 585	24.41 620
C	inch mm	3.46 88	3.46 88	3.82 97	5.43 138	5.43 138	5.43 138	6.77 172	9.21 234
F	inch mm	.31 8	.38 9.6	.55 14	.71 18	.94 24	1.18 30	1.44 36.6	1.89 48
G	inch mm	1.5 38	1.5 38	1.89 48	2.20 56	2.52 64	3.07 78	3.35 85	3.74 95
Weight	lb. kg	7.75 3.5	7.75 3.5	12 5.5	17 7.8	24.25 11	40 14.5	56.5 25.6	94.75 43
PACKING		BH3	BH3	BH5	BH6	2B4	BY7	2B5	9B8
GASKET		G1	G1	G2	G3	G4	G5	G7	G8

REDUCED PORT – FIG. 9CL 10		1/2	3/4	1	1 1/2	2
SIZE	inch mm	15	20	25	40	50
A	inch mm	3.54 90	4.33 110	5 127	5 127	8.27 210
B open	inch mm	15.94 405	17.32 440	18.50 470	20.67 525	23.23 590
C	inch mm	3.46 88	3.82 97	5.43 138	5.43 138	6.77 172
F	inch mm	.38 9.6	.55 14	.71 18	1.18 30	1.44 36.6
G	inch mm	1.26 32	1.5 38	1.89 48	2.52 64	3.07 78
Weight	lb. kg	8 3.7	11.5 5.3	18.75 8.5	30 13.6	57.25 26
PACKING		BH3	BH5	BH6	2B5	BH8
GASKET		G1	G2	G3	G5	G7