

B[®] CHECK VALVES- BOLTED BONNET- FULL & REDUCED PORT

BONNEY FORGE

800 LB.

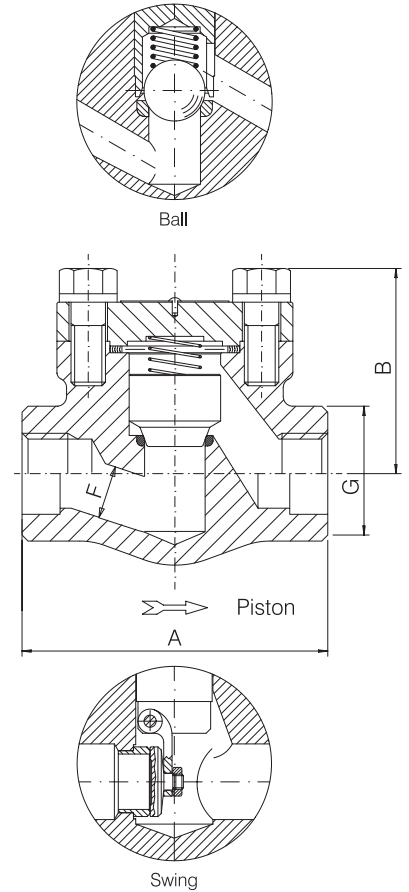
1500 LB.

Design construction:

- ASME B16.34 - BS 5352
- Testing according to API 598
- Marking MSS SP25
- Spring on request only
- Spiral-wound gasket
- Socket Weld Ends to ASME B16.11
- Screwed Ends (NPT) to ASME B1.20.1
- Butt Welding Ends to ASME B16.25

Ratings:

- carbon steel class 800 1975 psig @ 100°F
138 bar + 38°C
- carbon steel class 1500 3705 psig @ 100°F
255 bar + 38°C



		FULL PORT - FIG. H 40 - H 50 - H 60								
800 LB.	SIZE	inch	1/4	3/8	1/2	3/4	1	1 1/4	1 1/2	2
		mm	6	10	15	20	25	32	40	50
	A	inch	3.15	3.15	3.54	4.33	5	5.91	7.09	8.27
		mm	80*	80	90	110	127	150	180	210
	B	inch	2.17	2.17	2.36	3.07	3.46	3.62	4.25	5.71
		mm	55	55	60	78	88	92	108	145
	F Piston/ F Ball	inch	.28	.35	.51	.69	.89	1.16	1.38	1.77
		mm	7	9	13	17.5	22.5	29.5	35	45
	F Swing	inch	.31	.38	.55	.71	.94	1.18	1.44	1.89
		mm	8	9.6	14	18	24	30	36.6	48
G	inch	1.26	1.26	1.50	1.89	2.20	2.52	3.07	3.35	
	mm	32	32	38	48	56	64	78	85	
Weight	lb.	3	3	3.5	6.5	9.5	12.25	22	35.25	
	kg	1.4	1.4	1.6	3	4.3	5.6	10	16	
GASKET		G2	G2	G2	G3	G4	G6	G7	G9	

		REDUCED PORT - FIG. HL 40 - HL 50 - HL 60					
800 LB.	SIZE	inch	1/2	3/4	1	1 1/2	2
		mm	15	20	25	40	50
	A	inch	3.15	3.54	4.33	5.91	7.09
		mm	80	90	110	150	180
	B	inch	2.17	2.36	3.07	3.62	4.25
		mm	55	60	78	92	108
	F Piston/ F Ball	inch	.35	.51	.69	1.16	1.38
		mm	9	13	17.5	29.5	35
	F Swing	inch	.38	.55	.71	1.18	1.44
		mm	9.6	14	18	30	36.6
G	inch	1.26	1.5	1.89	2.52	3.07	
	mm	32	38	48	64	78	
Weight	lb.	2.75	3.5	6.25	12.25	19.75	
	kg	1.3	1.6	2.8	5.6	9.0	
GASKET		G2	G2	G3	G6	G7	

*For swing type only A=90mm 3.54inch

		FULL PORT - FIG. 9H 40 - 9H 50 - 9H 60								
1500 LB.	SIZE	inch	1/4	3/8	1/2	3/4	1	1 1/4	1 1/2	2
		mm	6	10	15	20	25	32	40	50
	A	inch	3.54	3.54	4.33	5	5.91	7.09	8.27	8.27
		mm	90	90	110	127	150	180	210	210
	B	inch	2.36	2.36	3.07	3.46	3.62	4.25	5.71	5.91
		mm	60	60	78	88	92	108	145	150
	F Piston/ F Ball	inch	.28	.35	.47	.59	.79	1.06	1.26	1.57
		mm	7	9	12	15	20	27	32	40
	F Swing	inch	-	-	.55	.71	.94	1.18	1.44	1.89
		mm	-	-	14	18	24	30	36.6	48
G	inch	1.5	1.5	1.89	2.20	2.52	3.07	3.35	3.74	
	mm	38	38	48	56	64	78	85	95	
Weight	lb.	3.75	3.75	6.75	10	14.25	23.25	41.75	41.75	
	kg	1.7	1.7	3.1	4.6	6.5	10.6	19	19	
GASKET		G1	G1	G2	G3	G4	G5	G7	G8	

		REDUCED PORT - FIG. 9HL 40 - 9HL 50 - 9HL 60					
1500 LB.	SIZE	inch	1/2	3/4	1	1 1/2	2
		mm	15	20	25	40	50
	A	inch	3.54	4.33	5	7.09	8.27
		mm	90	110	127	180	210
	B	inch	2.36	3.07	3.46	4.25	5.71
		mm	60	78	88	108	145
	F Piston/ F Ball	inch	.35	.47	.59	1.06	1.26
		mm	9	12	15	27	32
	F Swing	inch	.38	.55	.71	1.18	1.44
		mm	9.6	14	18	30	36.6
G	inch	1.5	1.89	2.20	3.07	3.35	
	mm	38	48	56	78	85	
Weight	lb.	3.75	6.5	9.75	22	39.5	
	kg	1.7	3	4.4	10	18	
GASKET		G1	G2	G3	G5	G7	