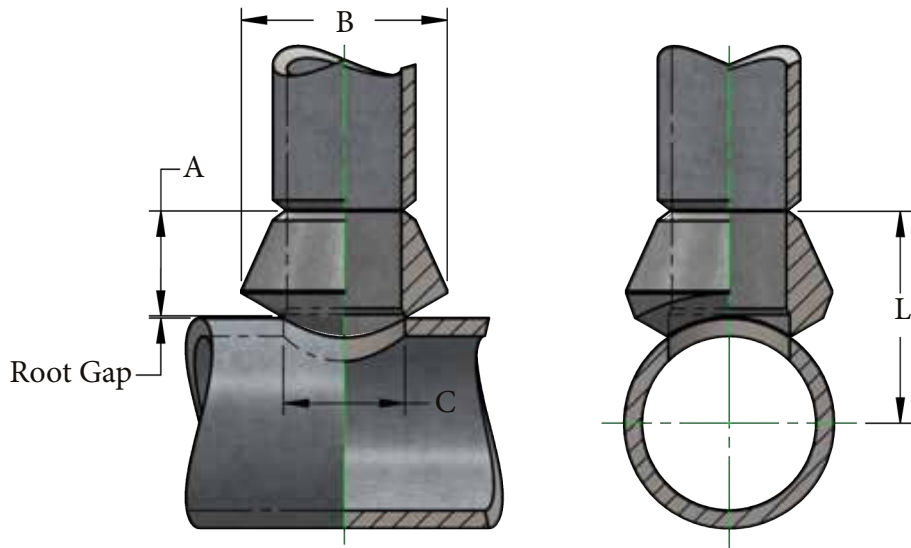


**REDUCING
STD WEIGHT**



$$L = A + (\text{Run Pipe OD})/2 + \text{Root Gap}$$

Outlet Size	Dimensions			Weight
	A	B	C	
NPS 1/8	3/8	1	3/8	0.100
NPS 1/4	3/8	1	3/8	0.100
NPS 3/8	3/4	1 1/4	3/4	0.150
NPS 1/2	3/4	1 3/8	15/16	0.200
NPS 3/4	7/8	1 3/4	1 3/16	0.250
NPS 1	1 1/16	2 3/8	1 7/16	0.500
NPS 1 1/4	1 1/4	2 9/16	1 3/4	0.800
NPS 1 1/2	1 5/16	2 7/8	2	1.000
NPS 2	1 1/2	3 1/2	2 1/16	1.750
NPS 2 1/2	1 5/8	4 1/16	3	2.500
NPS 3	1 3/4	4 13/16	3 11/16	4.000
NPS 3 1/2	1 7/8	5 1/4	4	5.500
NPS 4	2	6	4 3/4	6.300
NPS 5	2 1/4	7 1/16	5 9/16	10.250
NPS 6	2 3/8	8 3/16	6 11/16	12.000
NPS 8	2 3/4	10 1/4	8 11/16	23.000
NPS 10	3 1/16	12 11/16	10 13/16	36.000
NPS 12	3 3/8	14 7/8	12 13/16	59.000
NPS 14	3 1/2	16 9/16	14 1/16	66.000
NPS 16	3 11/16	18 1/4	16 1/16	75.000
NPS 18	3 13/16	21 1/16	18 1/16	97.000
NPS 20	4	23 3/16	20	118.000
NPS 24	4 9/16	27 3/4	24 3/16	220.000
NPS 26	4 11/16	29 7/8	26 1/4	265.000
NPS 30	5 3/8	34 1/2	30 7/16	430.000
NPS 36	5 3/8	40 1/2	26 1/2	900.000

► * Larger outlet sizes available upon request



RUN SIZE CONSOLIDATIONS

Outlet Size

	1/8	1/4	3/8	1/2	3/4	1	1 1/4	1 1/2	2	2 1/2	3	3 1/2	4	5	6
	3/8	3/8	3/4 - 1/2	1/2	3/4	1	1 1/4	1 1/2	2	2 1/2	3	3 1/2	4	5	6
	1/2	1/2	36 - 1	3/4	1	1 1/4	1 1/2	2	2 1/2	3	3 1/2	4	5	6	8
	1 - 3/4	1 - 3/4	FLAT	1	1 1/2 - 1 1/4	1 1/2	2	2 1/2	3	3 1/2	4	5	6	8	10
RUN SIZES	2 1/2 - 1 1/4	2 1/2 - 1 1/4		1 1/2 - 1 1/4	2 1/2 - 2	2	2 1/2	3	4 - 3 1/2	4	5	6	8	10	14 - 12
	36 - 3	36 - 3		2 1/2 - 2	5 - 3	2 1/2	3 1/2 - 3	4 - 3 1/2	5	5	6	8	10	12	16
	FLAT	FLAT		8 - 3	12 - 6	3 1/2 - 3	5 - 4	6 - 5	6	6	8	10	14 - 12	14	18
				36 - 10	36 - 14	5 - 4	8 - 6	12 - 8	10 - 8	8	10	14 - 12	20 - 16	18 - 16	22 - 20
				FLAT	FLAT	10 - 6	18 - 10	24 - 14	18 - 12	12 - 10	14 - 12	20 - 16	22	22 - 20	28 - 24
						36 - 12	36 - 20	36 - 26	36 - 20	18 - 14	20 - 16	36 - 24	36 - 24	28 - 24	36 - 30
						FLAT	FLAT	FLAT	FLAT	FLAT	FLAT	FLAT	FLAT	FLAT	FLAT

► * For outlet sizes NPS 8 and larger, order to specific run size required.

► * A FLAT Weldolet can be used for connections to pipe larger than NPS 36, welding caps, elliptical heads and flat surfaces.