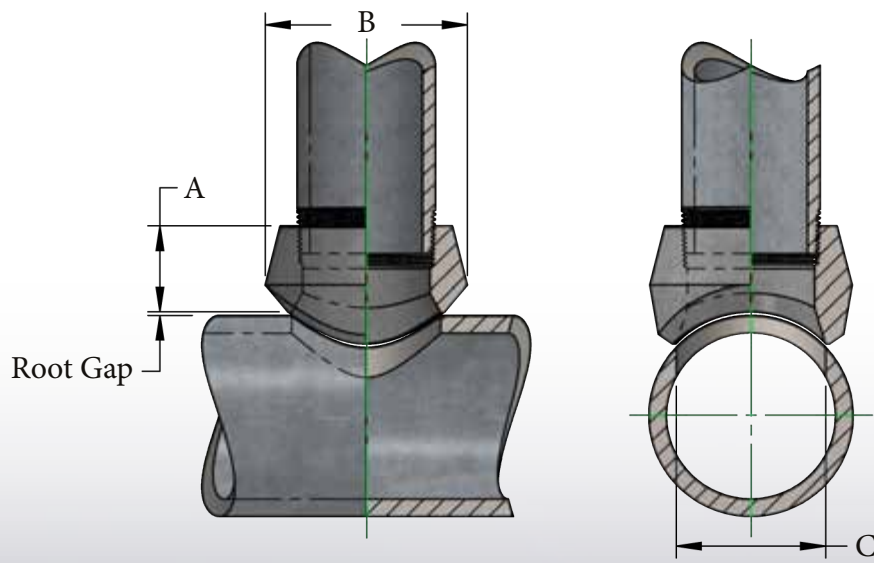


THREDOLET®

REDUCING CLASS 3000 & 6000



	Outlet Size	Dimensions			Weight
		A	B	C	
CLASS 3000	NPS 1/8	3/4	1	5/8	0.100
	NPS 1/4	3/4	1	5/8	0.100
	NPS 3/8	13/16	1 1/4	3/4	0.200
	NPS 1/2	1	1 7/16	15/16	0.250
	NPS 3/4	1 1/16	1 3/4	1 3/16	0.350
	NPS 1	1 5/16	2 1/8	1 7/16	0.600
	NPS 1 1/4	1 7/16	2 9/16	1 3/4	0.900
	NPS 1 1/2	1 3/8	2 7/16	2	1.000
	NPS 2	1 1/2	3 1/2	2 9/16	1.750
	NPS 2 1/2	1 13/16	4 1/16	3	3.000
	NPS 3	2	4 13/16	3 11/16	4.350
	NPS 3 1/2	2 1/8	5 1/4	4	5.750
	NPS 4	2 1/4	6	4 3/4	7.100
	NPS 5	2 5/8	7 5/16	5 9/16	12.000
NPS 6	2 3/4	8 5/8	6 11/16	15.300	
CLASS 6000	NPS 1/4	1 1/8	1 3/8	9/16	0.300
	NPS 3/8	1 1/8	1 3/8	9/16	0.300
	NPS 1/2	1 1/4	1 3/4	3/4	0.450
	NPS 3/4	1 7/16	2	1	0.750
	NPS 1	1 9/16	2 7/16	1 5/16	1.250
	NPS 1 1/4	1 3/8	2 3/4	1 1/2	1.600
	NPS 1 1/2	1 11/16	3 1/4	1 15/16	1.950
	NPS 2	2 1/16	4 1/16	2 3/4	5.000



RUN SIZE CONSOLIDATIONS - CLASS 3000

Outlet Size

	1/8	1/4	3/8	1/2	3/4	1	1 1/4	1 1/2	2	2 1/2	3	3 1/2	4	5	6
	3/8	3/8	1/2	1/2	3/4	1	1 1/4	1 1/2	2	2 1/2	3	3 1/2	4	5	6
	1/2	1/2	1 - 3/4	3/4	1	1 1/4	1 1/2	2	2 1/2	3	3 1/2	4	5	6	8
	1 - 3/4	1 - 3/4	2 1/2 - 1 1/4	1	1 1/2 - 1 1/4	1 1/2	2	2 1/2	3	3 1/2	4	5	6	8	10
	2 1/2 - 1 1/4	2 1/2 - 1 1/4	36 - 3	1 1/2 - 1 1/4	2 1/2 - 2	2	2 1/2	3	4 - 3 1/2	4	5	6	8	10	14 - 12
	36 - 3	36 - 3	FLAT	2 1/2 - 2	5 - 3	2 1/2	3 1/2 - 3	4 - 3 1/2	5	5	6	8	10	12	16
	FLAT	FLAT		8 - 3	12 - 6	3 1/2 - 3	5 - 4	6 - 5	6	6	8	10	14 - 12	14	18
				36 - 10	36 - 14	5 - 4	8 - 6	12 - 8	10 - 8	8	10	14 - 12	20 - 16	18 - 16	22 - 20
				FLAT	FLAT	10 - 6	18 - 10	24 - 14	18 - 12	12 - 10	14 - 12	20 - 16	22	22 - 20	28 - 24
						36 - 12	36 - 20	36 - 26	36 - 20	18 - 14	20 - 16	36 - 24	36 - 24	28 - 24	36 - 30
						FLAT	FLAT	FLAT	FLAT	36 - 20	36 - 24	FLAT	FLAT	36 - 30	FLAT
										FLAT	FLAT				

▶ A FLAT Thredolet can be used for connections to pipe larger than NPS 36, welding caps, elliptical heads and flat surfaces.