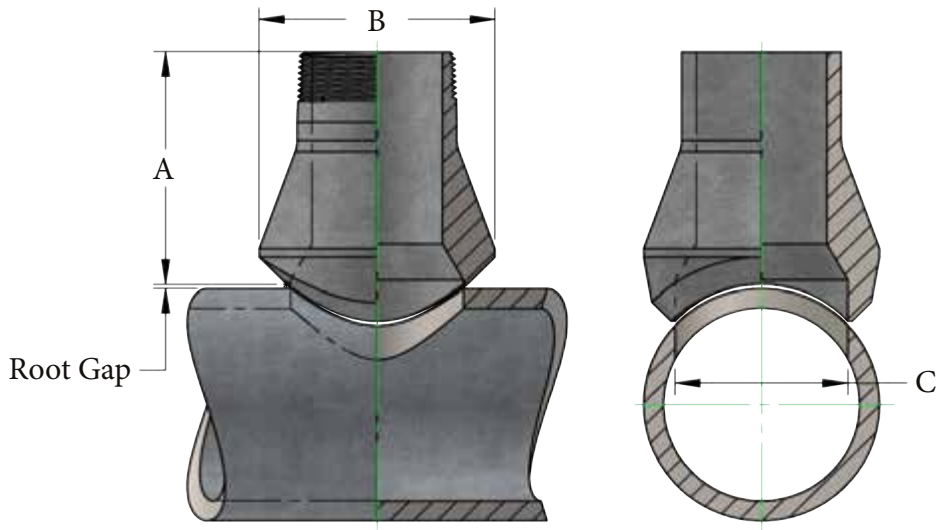


# NIPOLET®

**THREADED & SOCKET-WELD  
EXTRA STRONG &  
DBL. EXTRA STRONG**



Outlet Size		Dimensions		
		A	B	C
XS	NPS ½	SEE NOTES	1 ⅜	15/16
	NPS ¾		1 ¾	1 ⅜
	NPS 1		2 ⅝	1 7/16
	NPS 1 ¼		2 7/16	1 ¾
	NPS 1 ½		2 7/8	2
	NPS 2		3 ½	2 9/16
XXS	NPS ½	SEE NOTES	1 ⅜	9/16
	NPS ¾		1 ¾	¾
	NPS 1		2	1
	NPS 1 ¼		2 7/16	1 5/16
	NPS 1 ½		2 ¾	1 ½
	NPS 2		3 ¼	1 11/16

- ▶ Available in threaded or plain end (male socket-weld)
- ▶ Standard lengths: 3 ½", 4 ½", 5 ½", and 6 ½"
- ▶ Non standard lengths available upon request



**RUN SIZE CONSOLIDATIONS - Extra Strong**

		Outlet Size					
		½	¾	1	1 ¼	1 ½	2
RUN SIZES	½	¾	1	1 ¼	1 ½	2	2
	¾	1	1 ¼	1 ½	2	2 ½	3
	1	1 ½ - 1 ¼	1 ½	2	2 ½	3	4 - 3 ½
	1 ½ - 1 ¼	2 ½ - 2	2	2 ½	3	4 - 3 ½	5
	2 ½ - 2	5 - 3	2 ½	3 ½ - 3	4 - 3 ½	5	6
	8 - 3	12 - 6	3 ½ - 3	5 - 4	6 - 5	6	8 - 6
	36 - 10	36 - 14	5 - 4	8 - 6	12 - 8	10 - 8	10 - 8
	FLAT	FLAT	10 - 6	18 - 10	24 - 14	18 - 12	18 - 12
			36 - 12	36 - 20	36 - 26	36 - 20	36 - 20
			FLAT	FLAT	FLAT	FLAT	FLAT

**RUN SIZE CONSOLIDATIONS - Double Extra Strong**

		Outlet Size					
		½	¾	1	1 ¼	1 ½	2
RUN SIZES	½	1 - ¾	1	1 ½ - 1 ¼	1 ½	2	2
	1 ¼ - ¾	2 - 1 ¼	2 ½ - 1 ¼	2 ½ - 2	2 ½ - 2	2 ½ - 2	2 ½
	36 - 1 ½	6 - 2 ½	10 - 3	10 - 3	3 ½ - 3	3 ½ - 3	3 ½ - 3
	FLAT	36 - 8	36 - 12	36 - 12	8 - 4	5 - 4	5 - 4
		FLAT	FLAT	FLAT	20 - 10	8 - 6	8 - 6
					22	18 - 10	18 - 10
					36 - 24	36 - 20	36 - 20
					FLAT	FLAT	FLAT