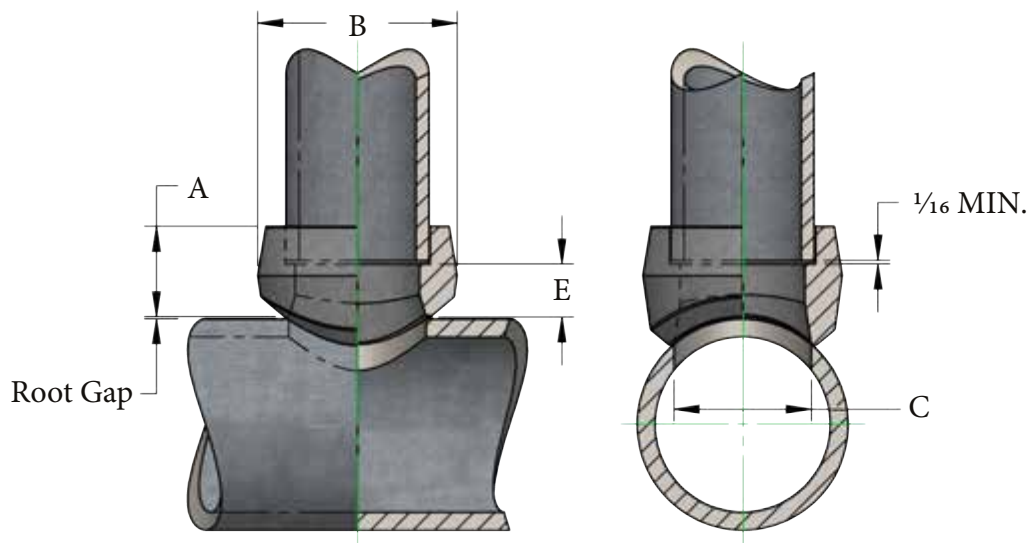


Flexolet®

**SOCKET-WELD
GLASS 3000, 6000
& 9000**



	Outlet Size	Dimensions				Weight
		A	B	C	E	
CLASS 3000	NPS ¼	¾	1	0.364	¾	0.140
	NPS ⅜	1 ³ / ₁₆	1 1 ¹ / ₁₆	0.493	7 ¹ / ₁₆	0.140
	NPS ½	1	1 ½	0.622	9 ¹ / ₁₆	0.280
	NPS ¾	1 1 ¹ / ₁₆	1 1 ¹ / ₁₆	0.824	9 ¹ / ₁₆	0.390
	NPS 1	1 5 ¹ / ₁₆	2 ¾	1.049	13 ¹ / ₁₆	0.730
	NPS 1 ¼	1 5 ¹ / ₁₆	2 9 ¹ / ₁₆	1.380	¾	0.960
	NPS 1 ½	1 ¾	2 13 ¹ / ₁₆	1.610	¾	1.120
	NPS 2	1 ½	3 5 ¹ / ₁₆	2.067	13 ¹ / ₁₆	1.660
	NPS 2 ½	1 13 ¹ / ₁₆	3 13 ¹ / ₁₆	2.469	¾	2.730
CLASS 6000	NPS ½	1 ¼	1 ¾	0.464	13 ¹ / ₁₆	0.280
	NPS ¾	1 7 ¹ / ₁₆	2 1 ¹ / ₁₆	0.612	15 ¹ / ₁₆	0.390
	NPS 1	1 9 ¹ / ₁₆	2 9 ¹ / ₁₆	0.815	1	0.730
	NPS 1 ¼	1 ¾	2 ½	1.160	1	0.960
	NPS 1 ½	1 11 ¹ / ₁₆	3 5 ¹ / ₁₆	1.338	1 1 ¹ / ₁₆	1.630
CLASS 9000	NPS ½	1 ¼	1 ¾	0.252	13 ¹ / ₁₆	
	NPS ¾	1 7 ¹ / ₁₆	1 7 ¹ / ₁₆	0.434	7 ¹ / ₁₆	
	NPS 1	1 9 ¹ / ₁₆	2 ¼	0.599	1	
	NPS 1 ¼	1 ¾	2 ¾	0.896	1 1 ¹ / ₁₆	
	NPS 1 ½	1 11 ¹ / ₁₆	3	1.100	1 ¾	
	NPS 2	2 1 ¹ / ₁₆	3 ½	1.503	1 ¾	



RUN SIZE CONSOLIDATIONS - CLASS 3000

Outlet Size

	¼	⅜	½	¾	1	1 ¼	1 ½	2	2 ½	3	4
RUN SIZES	¼	½ - ¾	½	1 ¼ - ¾	1	1 ½ - 1 ¼	1 ½	2	2 ½	3	4
	36 - ¾	36 - ¾	36 - ¾	36 - 1 ½	2 ½ - 1 ¼	3 ½ - 2	2 ½ - 2	3 ½ - 2 ½	3 ½ - 3	5 - 3 ½	6 - 5
					36 - 3	36 - 4	5 - 3	6 - 4	6 - 4	14 - 6	10 - 8
							36 - 6	36 - 8	36 - 8	36 - 16	20 - 12
											36 - 22

▶ FLAT Flexolet branch connections for use on welding caps, elliptical heads, and flat surfaces are available upon request.

RUN SIZE CONSOLIDATIONS - CLASS 6000

Outlet Size

	½	¾	1	1 ¼	1 ½	2
RUN SIZES	½	1 - ¾	1	1 ¼	1 ½	2
	36 - ¾	36 - 1 ¼	2 ½ - 1 ¼	4 - 1 ½	2 ½ - 2	3 ½ - 2 ½
			36 - 3	36 - 5	5 - 3	6 - 4
					36 - 6	36 - 8

RUN SIZE CONSOLIDATIONS - CLASS 9000

Outlet Size

	½	¾	1	1 ¼	1 ½	2
RUN SIZES	36 - ½	36 - ¾	1	1 ½ - 1 ¼	1 ½	2
			36 - 1 ¼	2 ½ - 2	2 ½ - 2	3 - 2 ½
				36 - 3	4 - 3	5 - 3 ½
					36 - 5	8 - 6
						36 - 10