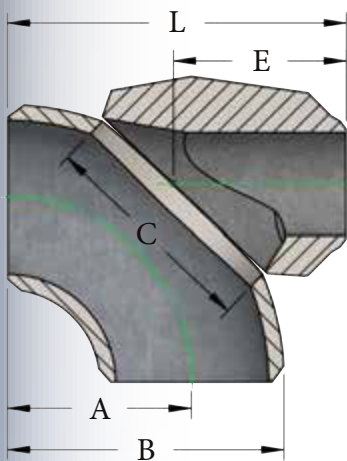
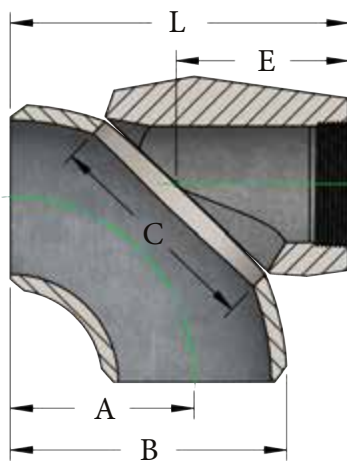


ELBOLETT®

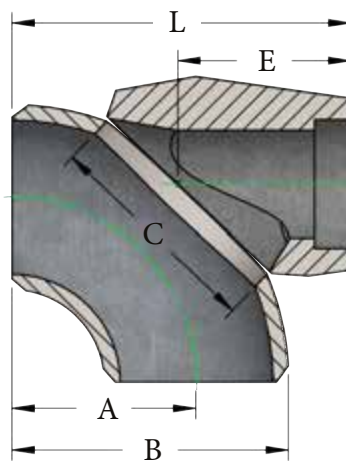
BUTT-WELD, THREADED & SOCKET-WELD 90° LONG RADIUS



BUTT-WELD



THREADED



SOCKET-WELD

$$L = E + \text{SQRT}(B^2 - A^2 + \text{ROOT GAP})$$

		DIMENSIONS					
Elbow Size	Outlet Size	C	E	C	E		
CLASS 3000 - THREADED & SOCKET-WELD BUTT-WELD (STD & XS) ORDER TO SPECIFIC ELBOW SIZES	NPS 36 - 3/4	NPS 1/4	1 1/2	1 19/32	1 1/2	1 19/32	
	NPS 36 - 3/4	NPS 3/8	1 1/2	1 19/32	1 1/2	1 19/32	
	NPS 36 - 3/4	NPS 1/2	1 1/2	1 19/32	1 23/32	1 7/8	
	NPS 36 - 1	NPS 3/4	1 23/32	1 7/8	2 1/4	2 1/4	
	NPS 36 - 2	NPS 1	2 1/4	2 1/4	2 7/8	2 1/2	
	NPS 36 - 2	NPS 1 1/4	2 7/8	2 1/2	3 3/8	2 11/16	
	NPS 36 - 2	NPS 1 1/2	3 1/8	2 11/16	4 3/16	3 1/4	
	NPS 36 - 3	NPS 2	4 3/16	3 1/4	-	-	
		NPS 2 1/2	4 3/16	3 1/4	-	-	
		NPS 3	5 1/16	3 7/8	-	-	
		NPS 4	6 3/8	4 13/16	-	-	
		NPS 6	9 3/8	6 1/2	-	-	
		NPS 8	13 5/16	8 1/16	-	-	
		NPS 10	17 1/2	10 3/8	-	-	
	NPS 12	19 3/8	11 1/8	-	-		
				CLASS 6000 - THREADED & SOCKET-WELD BUTT-WELD (SCH. 160 & XXS)			

- ▶ Outlet sizes larger than NPS 2 are available as butt-weld fittings only.
- ▶ Outlet sizes larger than NPS 12 are available upon request.

