

GLOBE VALVES- WELDED BONNET- FULL PORT (Y TYPE)



BONNEY FORGE

800 LTD.

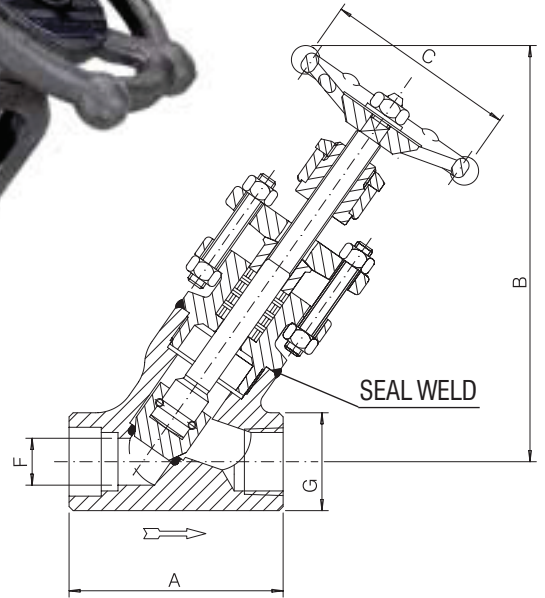
1690 LTD.

Design construction:

- ASME B16.34 Limited Class
- Testing according to API 598
- Marking MSS SP25
- Outside Screw and Yoke (OS&Y)
- Self aligning two piece packing gland
- Integral backseat
- Body bonnet weld to ASME IX
- Loose solid disc
- Socket Weld Ends to ASME B16.11
- Screwed Ends (NPT) to ASME B1.20.1
- Butt Welding Ends to ASME B16.25

Ratings:

- carbon steel class 800 2000 psig @ 100°F
 138 bar + 38°C
- carbon steel class 1690 4225 psig @ 100°F
 291 bar + 38°C



		FULL PORT — FIG. Y 30								
SIZE	inch mm	1/4 6	3/8 10	1/2 15	3/4 20	1 25	1 1/4 32	1 1/2 40	2 50	
800 LTD.	A	inch mm	3.35 85	3.35 85	3.35 85	4.13 105	4.72 120	6.5 165	6.5 165	7.48 190
	B open	inch mm	6.85 174	6.85 174	6.85 174	8.46 215	10.04 255	10.04 255	12.52 318	14.76 375
	C	inch mm	3.46 88	3.46 88	3.46 88	3.82 97	5.43 138	6.77 172	6.77 172	6.77 172
	F	inch mm	.28 7	.35 9	.51 13	.69 17.5	.89 22.5	1.38 35	1.38 35	1.77 45
	G	inch mm	1.5 38	1.5 38	1.5 38	1.89 48	2.20 56	3.07 78	3.07 78	3.35 85
	Weight	lb.	4.25	4.25	4.25	7.25	11	24.25	24.25	33
		kg	2	2	2	3.3	5	11	11	15
	PACKING		BH3	BH3	BH3	BH5	BY5	BY7	BY7	BH8

		FULL PORT — FIG. 1690Y 30								
SIZE	inch mm	1/4 6	3/8 10	1/2 15	3/4 20	1 25	1 1/4 32	1 1/2 40	2 50	
1690 LTD.	A	inch mm	3.35 85	3.35 85	4.13 105	4.72 120	6.5 165	6.5 165	7.48 190	8.66 220
	B open	inch mm	6.89 175	6.89 175	8.46 215	10.04 255	11.02 280	12.40 315	14.96 380	17.72 450
	C	inch mm	3.46 88	3.46 88	3.82 97	5.43 138	5.43 138	6.77 172	6.77 172	9.21 234
	F	inch mm	.28 7	.35 9	.47 12	.59 15	.79 20	1.06 27	1.26 32	1.57 40
	G	inch mm	1.5 38	1.5 38	1.89 48	2.20 56	3.07 78	3.07 78	3.35 85	3.74 95
	Weight	lb.	4.25	4.25	7.75	11.5	24.25	24.25	36.25	57.25
		kg	2	2	3.5	5.3	11	11	16.5	26
	PACKING		BH3	BH3	BH5	2B4	2B4	BY7	BH8	2B8