



GLOBE VALVES- BELLOWS SEALED- WELDED & BOLTED BONNET- FULL & REDUCED PORT

800 LB.

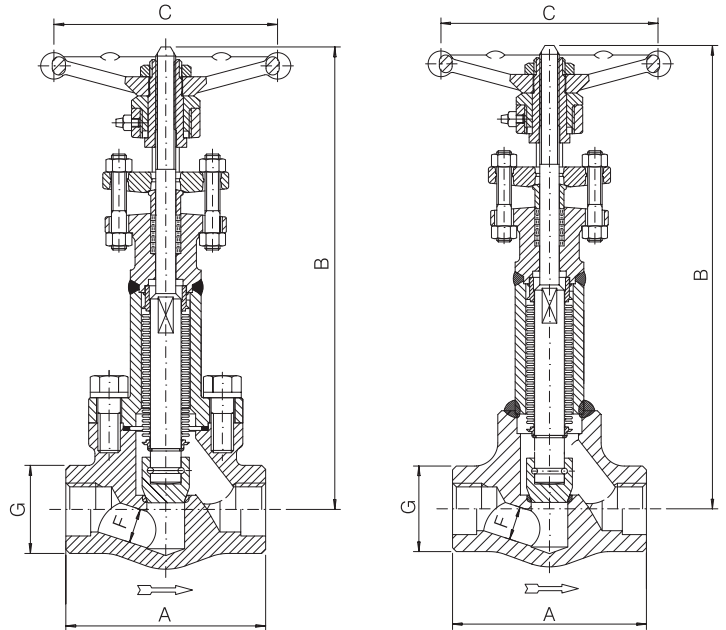
1500 LB.

Design construction:

- ASME B16.34, BS 5352, MSS-SP-117
- Testing according to API 598
- Marking MSS-SP-25
- Outside Screw and Yoke (OS&Y)
- Self aligning two piece packing gland
- Spiral wound gasket
- Body Bonnet Weld to ASME IX
- Integral Backseat
- Loose solid disc
- Socket Weld Ends to ASME B16.11
- Screwed Ends (NPT) to ASME B1.20.1
- Butt Welding Ends to ASME B16.25

Ratings:

- carbon steel class 800 1975 psig @ 100°F
138 bar + 38°C
- carbon steel class 1500 3705 psig @ 100°F
255 bar + 38°C



		FULL PORT – BOLTED BONNET FIG. S 30 - WELDED BONNET FIG. SHW 30									
SIZE	inch	1/4	3/8	1/2	3/4	1	1 1/4	1 1/2	2		
	mm	6	10	15	20	25	32	40	50		
A	inch mm	3.15 80	3.15 80	3.54 90	4.33 110	5 127	5.90 150	7.09 180	8.27 210		
B open	inch mm	8.07 205	8.07 205	8.27 210	9.64 245	11.22 285	12.40 315	13.58 345	17.52 445		
C	inch mm	3.46 88	3.46 88	3.46 88	3.82 97	5.43 138	5.43 138	6.77 172	6.77 172		
F	inch mm	.27 7	.35 9	.51 13	.69 17.5	.87 22.5	1.16 29.5	1.38 35	1.77 45		
G	inch mm	1.26 32	1.26 32	1.50 38	1.89 48	2.20 56	2.52 64	3.07 78	3.35 85		
Weight Bolted B.	lb. kg	5.5 2.5	5.5 2.5	7.75 3.5	11.5 5.2	19.25 8.7	22 10	40.75 18.5	67.25 30.5		
Weight Welded B.	lb. kg	5 2.3	5 2.3	7 3.2	11 5	17.5 8	19.75 9	37.5 17	61.75 28		
PACKING		BH2	BH2	BH2	BH4	BH5	BH6	BY5	BH8		
GASKET*		G2	G2	G2	G3	G4	G6	G7	G9		

		REDUCED PORT – BOLTED BONNET FIG. SL 30 - WELDED BONNET FIG. SHWL 30						
SIZE	inch	1/2	3/4	1	1 1/2	2		
	mm	15	20	25	40	50		
A	inch mm	3.15 80	3.54 90	4.33 110	5.90 150	7.09 180		
B open	inch mm	8.07 205	8.27 210	9.64 245	12.40 315	13.58 345		
C	inch mm	3.46 88	3.46 88	3.82 97	5.43 138	5.43 138	6.77 172	6.77 172
F	inch mm	.35 9	.51 13	.69 17.5	1.16 29.5	1.38 35		
G	inch mm	1.26 32	1.50 38	1.89 48	2.52 64	3.07 78		
Weight Bolted B.	lb. kg	5.5 2.5	6 2.7	9.5 4.3	19.5 8.8	29.75 13.5		
Weight Welded B.	lb. kg	4.75 2.2	5.25 2.4	7.75 3.5	17.75 8.1	26 11.8		
PACKING		BH2	BH2	BH4	BH6	BY5		
GASKET*		G2	G2	G3	G6	G7		

		FULL PORT – BOLTED BONNET FIG. 9S 30 - WELDED BONNET FIG. 9SHW 30						
SIZE	inch	1/2	3/4	1	1 1/2	2		
	mm	15	20	25	40	50		
A	inch mm	4.33 110	5 127	5.90 150	8.27 210	9.05 230		
B open	inch mm	11.02 280	12.60 320	14.17 360	17.52 445	20.08 510		
C	inch mm	5.43 138	6.77 172	9.21 234	12.60 320	12.60 320		
F	inch mm	.47 12	.59 15	.79 20	1.26 32	1.57 40		
G	inch mm	1.89 48	2.20 56	2.52 64	3.35 85	3.74 95		
Weight Bolted B.	lb. kg	10 4.5	15.5 7	19.75 9	50.75 23	83.75 38		
Weight Welded B.	lb. kg	8.75 4	14.25 6.5	18.25 8.3	48.5 22	80.5 36.5		
PACKING		BH5	2B4	2B4	BH8	9B8		
GASKET*		G2	G3	G4	G7	G8		

		REDUCED PORT – BOLTED BONNET FIG. 9SL 30 - WELDED BONNET FIG. 9SHWL 30						
SIZE	inch	1/2	3/4	1	1 1/2	2		
	mm	15	20	25	40	50		
A	inch mm	3.54 90	4.33 110	5 127	7.09 180	8.27 210		
B open	inch mm	9.45 240	11.02 280	12.60 320	14.17 360	17.52 445		
C	inch mm	5.43 138	5.43 138	6.77 172	9.21 234	12.60 320		
F	inch mm	.35 9	.47 12	.59 15	1.06 27	1.26 32		
G	inch mm	1.50 38	1.89 48	2.20 56	3.07 78	3.35 85		
Weight Bolted B.	lb. kg	7.75 3.5	10 4.5	15.5 7	19.75 9	50.75 23		
Weight Welded B.	lb. kg	6.5 3	10 4.6	14.25 6.5	19.5 8.9	47.25 21.5		
PACKING		BH3	BH5	2B4	2B5	BH8		
GASKET*		G1	G2	G3	G5	G7		