

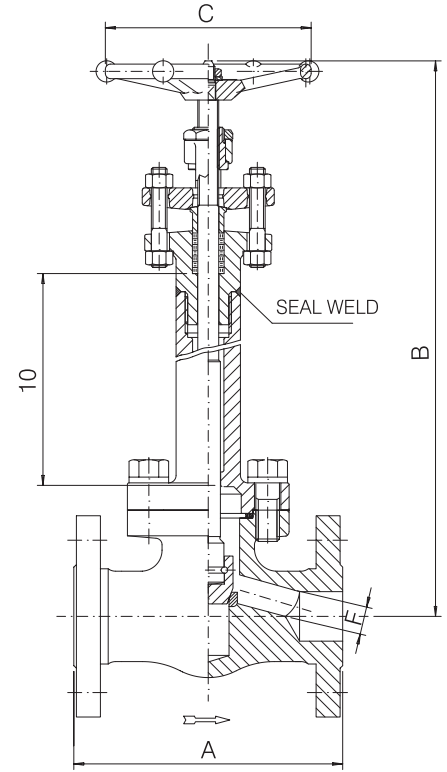


CRYOGENIC VALVES- GLOBE TYPE- BOLTED BONNET- FULL & REDUCED PORT

600 LB.

Design construction:

- ASME B16.34- BS 5352- BS 6364
- Testing according to API 598
- Marking MSS SP25
- Outside Screw and Yoke (OS&Y)
- Self aligning two piece packing gland
- Spiral wound gasket
- Integral backseat
- Loose disc stem assembly
- Integral body flanges
- Face to face according to ASME B16.10
- Flanges according to ASME B16.5
- Welded body - bonnet joint also available
- Ratings: stainless steel A182 - F316
- class 600 1440 psig @ 100°F
- 99 bar + 38°C



	FULL PORT – FIG. 6C 30								REDUCED PORT – FIG. 6CL 30						
	SIZE	inch mm	1/2 15	3/4 20	1 25	1 1/2 40	2 50		SIZE	inch mm	1/2 15	3/4 20	1 25	1 1/2 40	2 50
600 LB.	A	inch mm	6.5 165	7.52 191	8.50 216	9.49 241	11.5 292	600 LB.	A	inch mm	6.5 165	7.52 191	8.50 216	9.49 241	11.5 292
	B open	inch mm	16.53 420	18.11 460	20.08 510	21.65 550	24.01 610		B open	inch mm	15.35 390	17.32 440	18.90 480	21.26 540	22.24 565
	C	inch mm	3.46 88	3.82 97	5.43 138	6.77 172	6.77 172		C	inch mm	3.46 88	3.46 88	3.82 97	5.43 138	6.77 172
	F	inch mm	.51 13	.69 17.5	.88 22.5	1.38 35	1.77 45		F	inch mm	.35 9	.51 13	.69 17.5	1.16 29.5	1.38 35
	Weight	lb. kg	14.25 6.5	19.25 8.7	27.75 12.6	48.5 22	75 34		Weight	lb. kg	13 5.9	16.75 7.6	22.5 10.2	42 19	57.25 26
	PACKING		BH3	BH5	BY5	BY7	BH8		PACKING		BH3	BH3	BH5	BY5	BY7
	GASKET		G2	G3	G4	G7	G9		GASKET		G2	G2	G3	G6	G7