

B[®] CHECK VALVES- WELDED BONNET- FULL PORT (Y TYPE)

BONNEY FORGE

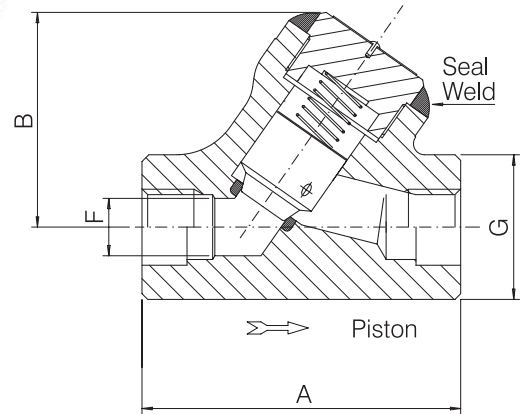
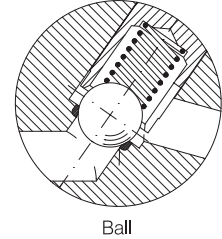
2680 LTD.

4500 LTD.

Design construction:

ASME B16.34 Limited Class - BS 5352
 Testing according to API 598
 Marking MSS SP25
 Body bonnet weld to ASME IX
 Spring on request only
 Socket Weld Ends to ASME B16.11
 Screwed Ends (NPT) to ASME B1.20.1
 Butt Welding Ends to ASME B16.25
 Ratings:

- carbon steel class 2680 6700 psig @ 100°F
 462 bar + 38°C
- carbon steel class 4500 11250 psig @ 100°F
 776 bar + 38°C



		FULL PORT — FIG. 2680Y 40 - 2680Y 50							
SIZE	inch	1/4	3/8	1/2	3/4	1	1 1/2	2	
	mm	6	10	15	20	25	40	50	
A	inch	4.13	4.13	4.72	6.5	6.5	7.48	8.66	
	mm	105	105	120	165	165	190	220	
B	inch	3.35	3.35	3.74	4.53	4.72	5.71	7.28	
	mm	85	85	95	115	120	145	185	
F	inch	.28	.35	.43	.57	.75	1.10	1.38	
	mm	7	9	11	14.5	19	28	35	
G	inch	1.89	1.89	2.20	3.07	3.07	3.35	3.74	
	mm	48	48	56	78	78	85	95	
Weight	lb.	7	7	8	19.75	19.75	29.75	44	
	kg	3.2	3.2	3.7	9	9	13.5	20	

Note: Thread End Valves are limited to ASME B16.34 2500 Pressure Class.

		REDUCED PORT — FIG. 45Y 40 - 45Y 50							
SIZE	inch	1/4	3/8	1/2	3/4	1	1 1/2	2	
	mm	6	10	15	20	25	40	50	
A	inch	4.72	4.72	4.72	6.5	6.5	8.66	9.06	
	mm	120	120	120	165	165	220	230	
B	inch	3.74	3.74	3.74	4.53	4.72	7.28	7.68	
	mm	95	95	95	115	120	185	195	
F	inch	.28	.28	.31	.43	.55	.98	1.26	
	mm	7	7	8	11	14	25	32	
G	inch	2.20	2.20	2.20	3.07	3.07	3.74	4.72	
	mm	56	56	56	78	78	95	120	
Weight	lb.	8	8	8	19.75	19.75	44	50.5	
	kg	3.7	3.7	3.7	9	9	20	23	

Available with Socket Weld or Butt-Weld Ends only.

Materials and trim specifications Page 91