



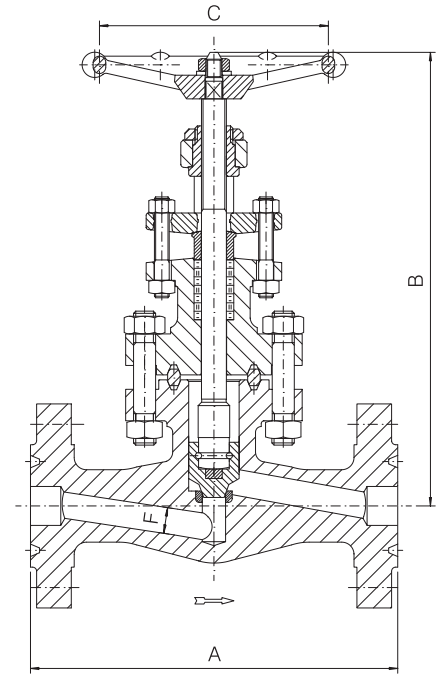
BONNEY FORGE

INTEGRAL FLANGED VALVES- GLOBE TYPE- BOLTED BONNET- FULL PORT

2500 LB.

Design construction:

- ASME B16.34 - BS 5352
- Full port type
- Testing according to API 598
- Marking MSS SP25
- Outside Screw and Yoke (OS&Y)
- Loose Disc Stem Assembly
- Body Bonnet Gasket ring joint type
- Spiral wound type gasket on request
- Self aligning two piece packing gland
- Integral backseat
- Integral body flanges
- Face to face according to ASME B16.10
- Flanges according to ASME B16.5
- Ratings:
- carbon steel class 2500 6170 psig @ 100°F
- 425 bar + 38°C



FULL PORT – FIG. 25FR 30						
SIZE	inch mm	1/2 15	3/4 20	1 25	1 1/2 40	2 50
A	inch mm	10.39 264	10.75 273	12.13 308	15.25 387,5	17.87 454
B open	inch mm	12.20 310	12.40 315	13.78 350	17.72 450	18.11 460
C	inch mm	5.43 138	5.43 138	6.77 172	9.21 234	12.6 320
F	inch mm	.43 11	.57 14,5	.75 19	1.10 28	1.38 35
Weight	lb. kg	36.25 16,5	40.75 18,5	66 30	135.5 61,5	147.5 67
PACKING		2B4	2B4	BH8	9B8	4B8
GASKET		R16	R16	R16	R19	R20