



BONNEY FORGE

INTEGRAL FLANGED VALVES- GATE TYPE- BOLTED BONNET- FULL PORT

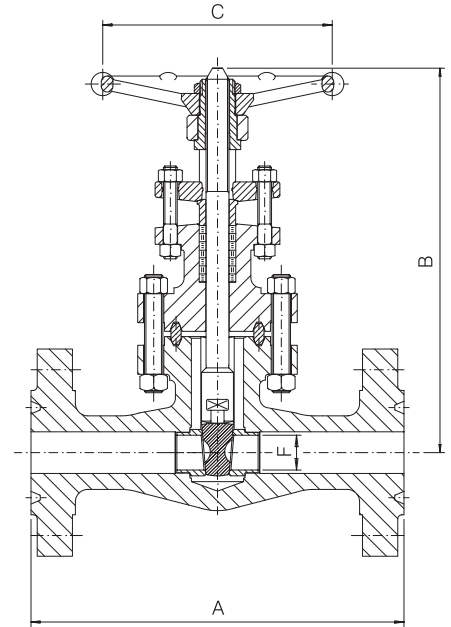
2500 LB.

Design construction:

- ASME B16.34 - BS 5352
- Full port type
- Testing according to API 598
- Marking MSS SP25
- Outside Screw and Yoke (OS&Y)
- Self aligning two piece packing gland
- Body Bonnet Gasket ring joint type
- Spiral wound type gasket on request
- Integral backseat
- Integral body flanges
- Face to face according to ASME B16.10
- Flanges according to ASME B16.5

Ratings:

- carbon steel class 2500 6170 psig @ 100°F
- 425 bar + 38°C



FULL PORT – FIG. 25FR 10							
2500 LB.	SIZE	inch mm	1/2 15	3/4 20	1 25	1 1/2 40	2 50
	A	inch mm	10.39 264	10.75 273	12.13 308	15.25 387,5	17.87 454
	B open	inch mm	11.10 282	11.42 290	13.19 335	15.98 406	16.34 415
	C	inch mm	5.43 138	5.43 138	6.77 172	9.21 234	12.60 320
	F	inch mm	.45 11,5	.59 15	.76 19,5	1.10 28	1.50 38
	Weight	lb. kg	35.5 16,2	38.75 17,6	63.75 29	132.25 60	143.25 65
	PACKING		2B4	2B4	BH8	2B8	25B8
	GASKET		R16	R16	R16	R19	R22