

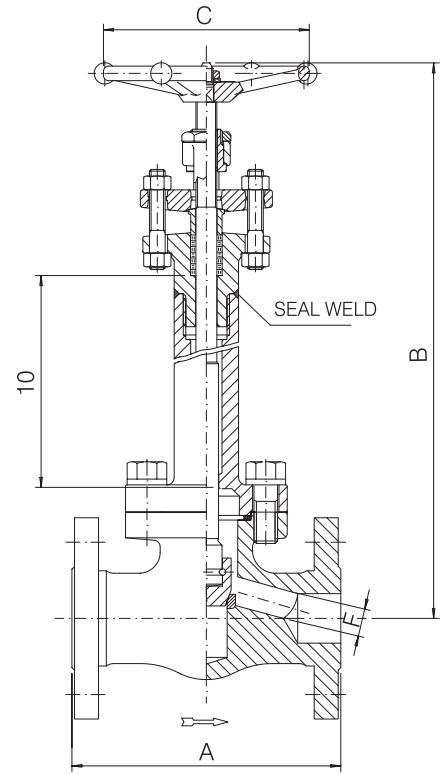
# CRYOGENIC VALVES- GLOBE TYPE- BOLTED BONNET- FULL & REDUCED PORT

BONNEY FORGE

**150 LB.**

**300 LB.**

**Design construction:**  
 ASME B16.34- BS 5352- BS 6364  
 Testing according to API 598  
 Marking MSS SP25  
 Outside Screw and Yoke (OS&Y)  
 Self aligning two piece packing gland  
 Spiral wound gasket  
 Integral backseat  
 Loose disc stem assembly  
 Integral body flanges  
 Face to face according to ASME B16.10  
 Flanges according to ASME B16.5  
 Welded body - bonnet joint also available  
 Ratings: stainless steel A182- F316  
 - class 150 275 psig @ 100°F  
     19 bar + 38°C  
 - class 300 720 psig @ 100°F  
     49 bar + 38°C



FULL PORT – FIG. 1C 30						
SIZE	inch mm	1/2 15	3/4 20	1 25	1 1/2 40	2 50
A	inch mm	4.25 108	4.62 117.5	5 127	6.5 165	7.99 203
B open	inch mm	17.52 445	18.50 470	19.68 500	22.05 560	24.80 630
C	inch mm	3.46 88	3.82 97	5.43 138	5.43 138	6.77 172
F	inch mm	.51 13	.69 17.5	.88 22.5	1.38 35	1.77 45
Weight	lb. kg	10.5 4.8	13 5.9	19.25 8.7	32.5 14.7	46.25 21
PACKING		BH3	BH5	BY5	BY7	BY7
GASKET		G2	G3	G4	G7	G8

REDUCED PORT – FIG. 1CL 30						
SIZE	inch mm	1/2 15	3/4 20	1 25	1 1/2 40	2 50
A	inch mm	4.25 108	4.62 117.5	5 127	6.5 165	7.99 203
B open	inch mm	15.16 385	17.12 435	18.11 460	20.27 515	21.46 545
C	inch mm	3.46 88	3.46 88	3.82 97	5.43 138	6.77 172
F	inch mm	.35 9	.51 13	.69 17.5	1.16 29.5	1.38 35
Weight	lb. kg	10 4.6	11.5 5.2	14.75 6.7	27.5 12.5	42 19
PACKING		BH3	BH3	BH5	BY5	BY7
GASKET		G2	G2	G3	G5	G8

FULL PORT – FIG. 3C 30						
SIZE	inch mm	1/2 15	3/4 20	1 25	1 1/2 40	2 50
A	inch mm	6.00 152.5	7.01 178	7.99 203	9.01 229	10.51 267
B open	inch mm	16.53 420	18.11 460	20.08 510	21.65 550	24.01 610
C	inch mm	3.46 88	3.82 97	5.43 138	6.77 172	6.77 172
F	inch mm	.51 13	.69 17.5	.88 22.5	1.38 35	1.77 45
Weight	lb. kg	13.75 6.2	17.5 7.9	26.5 12	46.25 21	68.25 31
PACKING		BH3	BH5	BY5	BY7	BH8
GASKET		G2	G3	G4	G7	G9

REDUCED PORT – FIG. 3CL 30						
SIZE	inch mm	1/2 15	3/4 20	1 25	1 1/2 40	2 50
A	inch mm	6.00 152.5	7.01 178	7.99 203	9.01 229	10.51 267
B open	inch mm	15.35 390	17.32 440	18.90 480	21.26 540	22.24 565
C	inch mm	3.46 88	3.46 88	3.82 97	5.43 138	6.77 172
F	inch mm	.35 9	.51 13	.69 17.5	1.16 29.5	1.38 35
Weight	lb. kg	12.25 5.6	14.75 6.7	21.5 9.8	38.5 17.5	54 24.5
PACKING		BH3	BH3	BH5	BY5	BY7
GASKET		G2	G2	G3	G6	G7