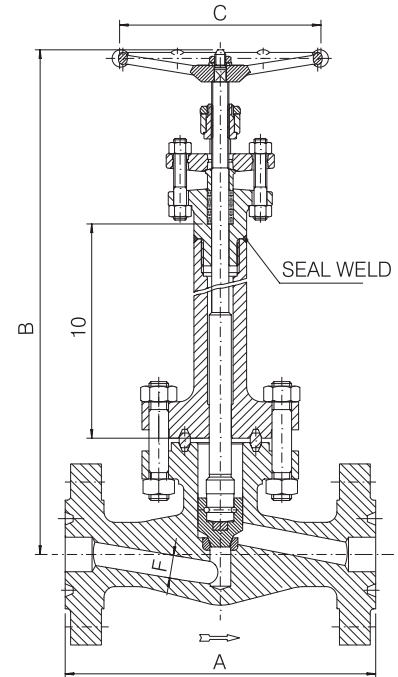


CRYOGENIC VALVES- GLOBE TYPE- BOLTED BONNET- FULL PORT

1500 LB.

Design construction:

- ASME B16.34- BS 5352- BS6364
- Testing according to API- 598
- Marking MSS- SP25
- Outside Screw and Yoke (OS&Y)
- Self aligning two piece packing gland
- Body bonnet gasket ring joint type
- Spiral wound type gasket on request
- Integral backseat
- Loose disc stem assembly
- Integral body flanges
- Face to face according to ASME B16.10
- Flanges according to ASME B16.5
- Welded body bonnet joint also available
- Full port type
- Ratings: stainless steel A182- F316
- class 1500 3600 psig @ 100°F
- 248 bar + 38°C



FULL PORT — FIG. 15CFR 30						
SIZE	inch mm	1/2 15	3/4 20	1 25	1 1/2 40	2 50
A	inch mm	8.50 216	9.01 229	10 254	12.01 305	14.62 371.5
B open	inch mm	18.50 470	20.08 510	20.67 525	23.42 595	25.59 650
C	inch mm	3.82 97	5.43 138	5.43 138	6.77 172	9.21 234
F	inch mm	.47 12	.57 14,5	.75 19	1.22 31	1.57 40
Weight	lb. kg	23 10,5	30.75 14	40.75 18,5	71.75 32,5	136.75 62
PACKING		BH5	2B4	2B4	BH8	9B8
GASKET		R12	R16	R16	R20	R22

Materials and trim specifications Page 91

TYPICAL DRAWING FOR GATE AND GLOBE WELDED BONNET CONSTRUCTION

