

B[®] GLOBE VALVES- BOLTED BONNET- FULL PORT

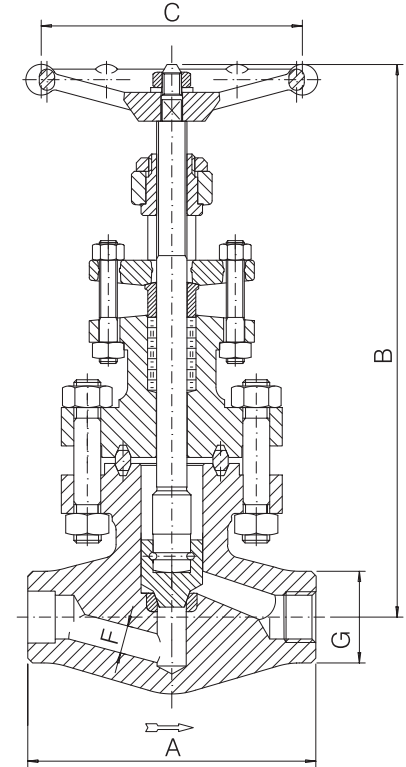
BONNEY FORGE

1500 LB.

2500 LB.

Design construction:

- ASME B16.34 - BS 5352
- Testing according to API 598
- Marking MSS SP55
- Outside Screw and Yoke (OS&Y)
- Self aligning two piece packing gland
- Integral backseat
- Oval ring joint gasket
- Loose solid disc
- Socket Weld Ends to ASME B16.11
- Screwed Ends (NPT) to ASME B1.20.1
- Butt Welding Ends to ASME B16.25
- Ratings standard class:
 - carbon steel class 1500 3705 psig @ 100°F
255 bar + 38°C
 - carbon steel class 2500 6170 psig @ 100°F
425 bar + 38°C



		FULL PORT – FIG. HGR 30				
SIZE	inch mm	1/2 15	3/4 20	1 25	1 1/2 40	2 50
A	inch mm	4.33 110	5.91 150	5.91 150	8.27 210	9.06 230
B open	inch mm	9.53 242	12.20 310	12.20 310	14.57 370	18.31 465
C	inch mm	5.43 138	5.43 138	5.43 138	6.77 172	9.21 234
F	inch mm	.47 12	.59 15	.75 19	1.26 32	1.57 40
G	inch mm	1.5 38	2.17 55	2.17 55	2.95 75	3.74 95
Weight	lb. kg	11 5	22 10	22 10	46.25 21	79.25 36
PACKING		2B3	2B4	2B4	2B5	2B8
GASKET		R12	R17	R17	R20	R24

		FULL PORT – FIG. 25HR 30				
SIZE	inch mm	1/2 15	3/4 20	1 25	1 1/2 40	2 50
A	inch mm	5.91 150	5.91 150	8.27 210	9.06 230	9.06 230
B open	inch mm	11.97 304	11.97 304	14.25 362	17.17 436	17.17 436
C	inch mm	5.43 138	5.43 138	5.43 138	9.21 234	9.21 234
F	inch mm	.43 11	.57 14.5	.75 19	1.10 28	1.5 38
G	inch mm	2.17 55	2.17 55	2.95 75	3.74 95	3.74 95
Weight	lb. kg	22 10	22 10	48.5 22	83.75 38	83.75 38
PACKING		2B4	2B4	BH8	2B8	4B8
GASKET		R16	R16	R17	R20	R20